

**NA4909-XL**

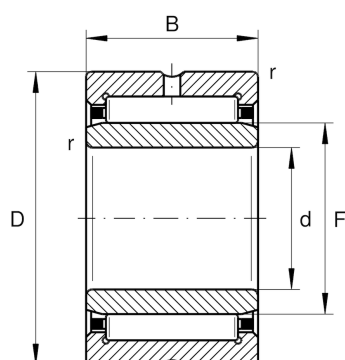
Radial roller bearing

Schaeffler ID:
0506511530000

Radial roller bearing NA..-XL

X-life

Technical information

**Main Dimensions & Performance Data**

d	45 mm	Bore diameter
D	68 mm	Outside diameter
B	22 mm	Width
C_r	51,000 N	Basic dynamic load rating, radial
C_{0r}	73,000 N	Basic static load rating, radial
C_{ur}	12,900 N	Fatigue load limit, radial
n_G	8,600 1/min	Limiting speed
$n_{G \text{ Grease}}$	5,200 1/min	Limiting speed for grease lubrication
n_{gr}	4,700 1/min	Reference speed
	280.37 g	Weight

Dimensions

r_{\min}	0.6 mm	Minimum chamfer dimension
F	52 mm	Raceway diameter inner ring
s	1 mm	Axial displacement

Temperature range

T_{\min}	-30 °C	Operating temperature min.
T_{\max}	120 °C	Operating temperature max.